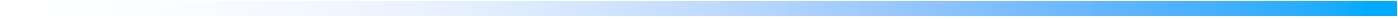
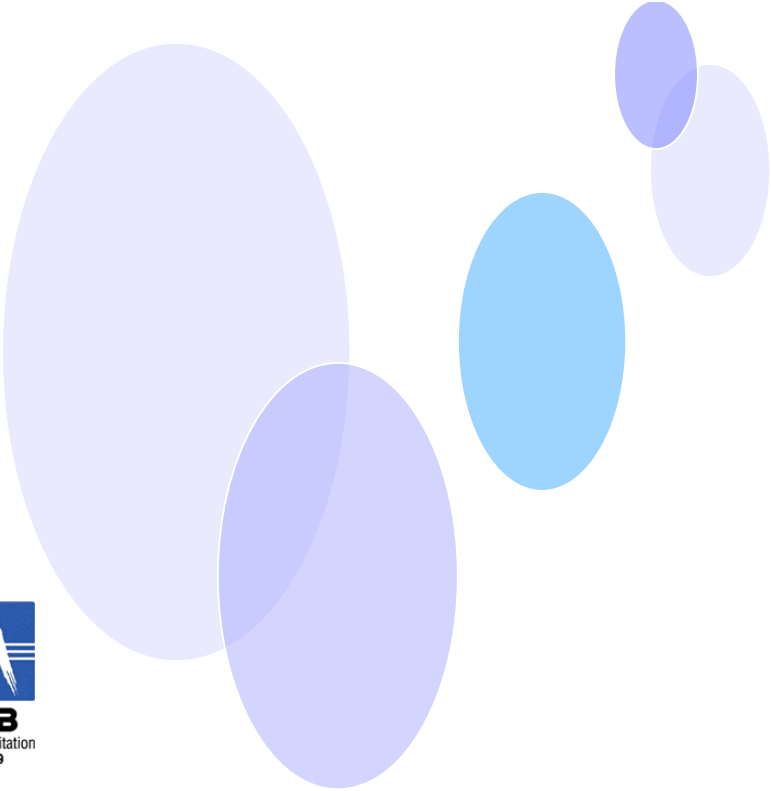




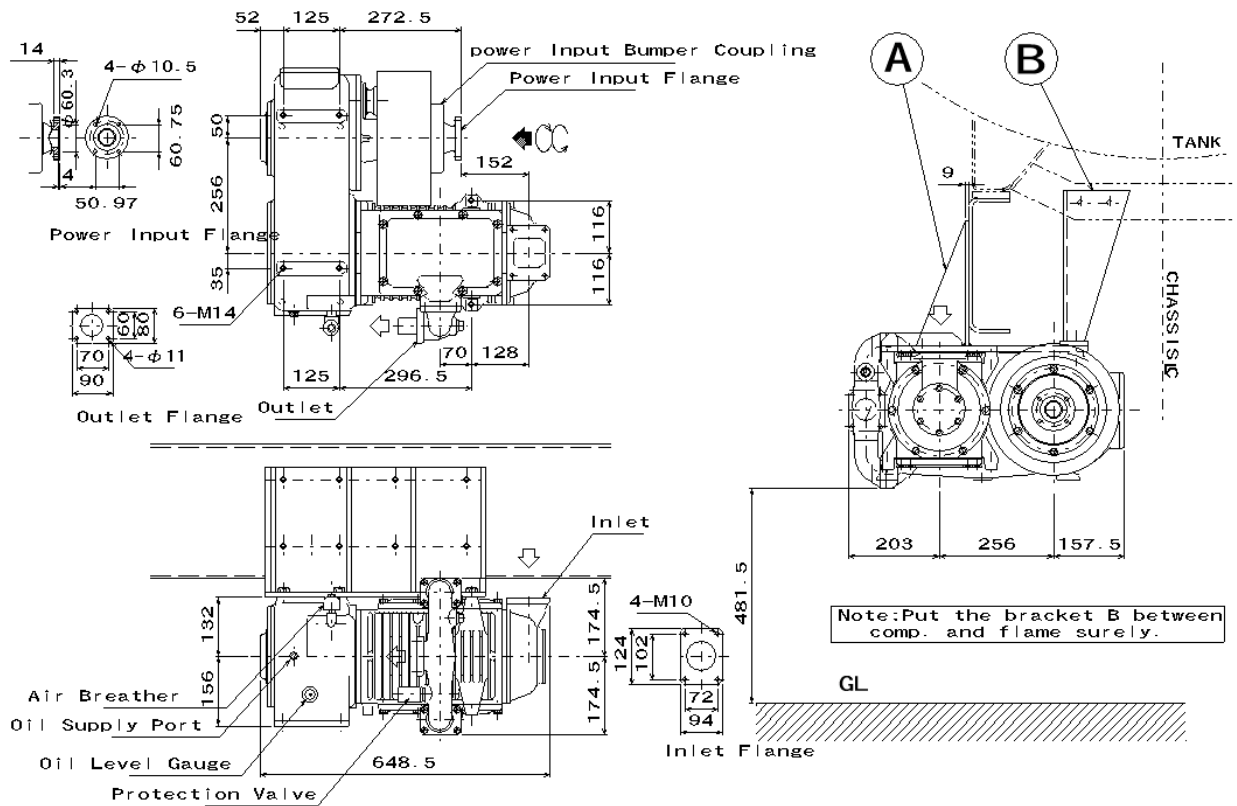
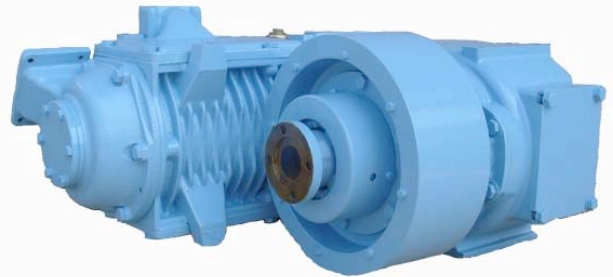
HORI ENGINEERING CO.,LTD.

OilFree Wing Compressor for Pneumatic Bulk Trailer



WING 602RF

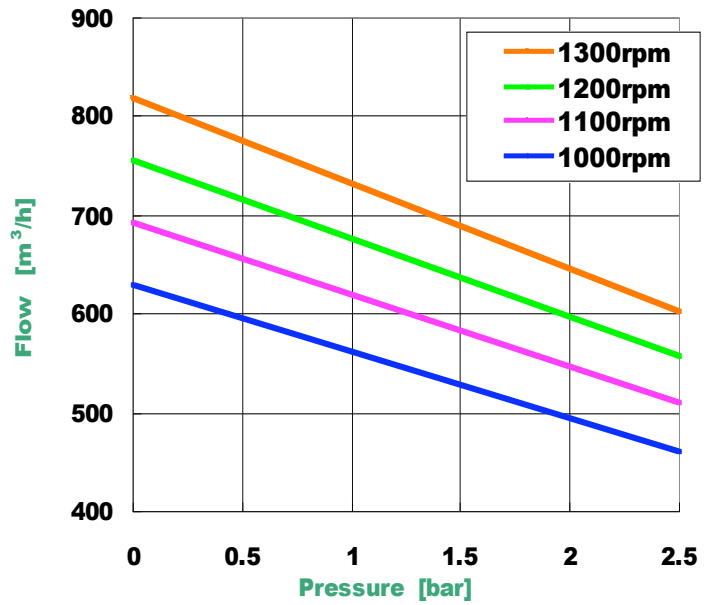
WING 602RF-C



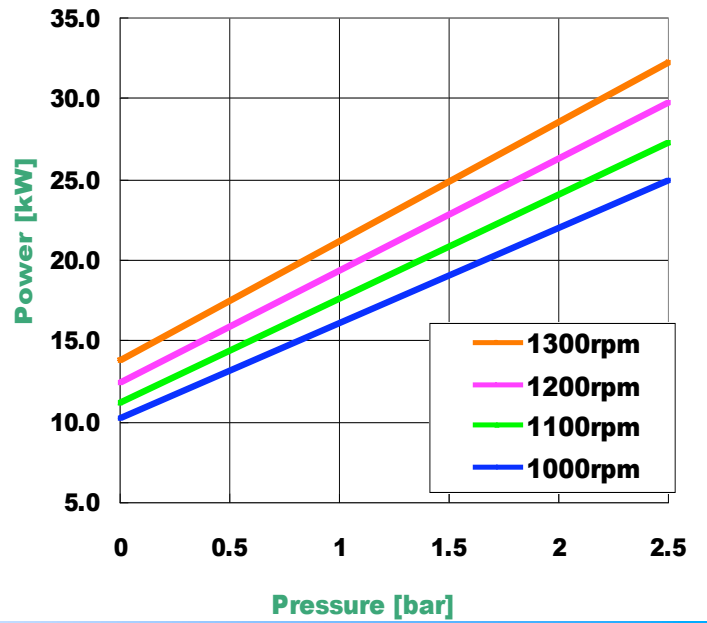


WING 602

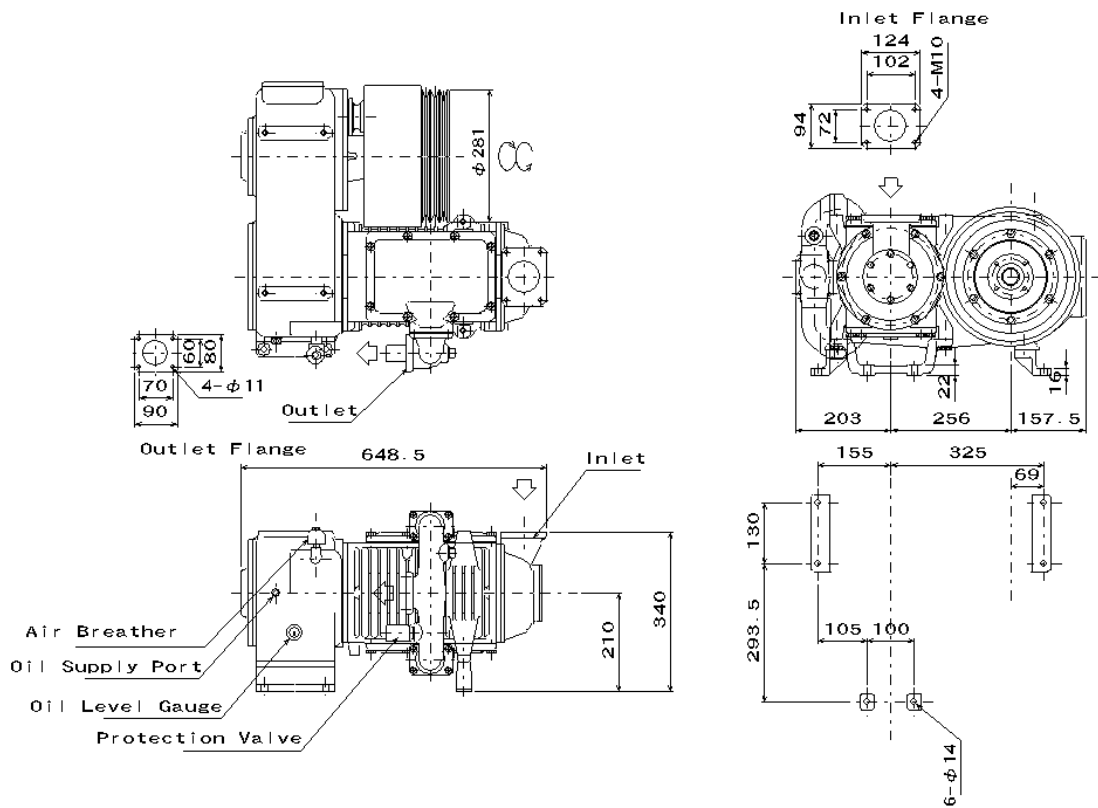
WING 602
Perfomanc Curve



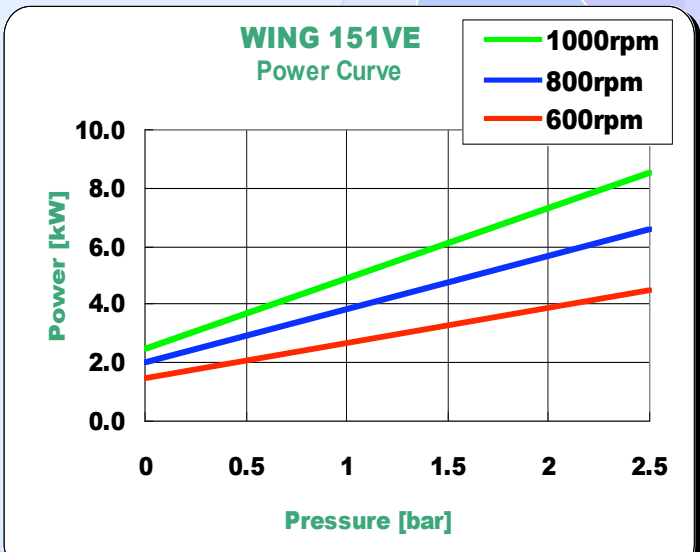
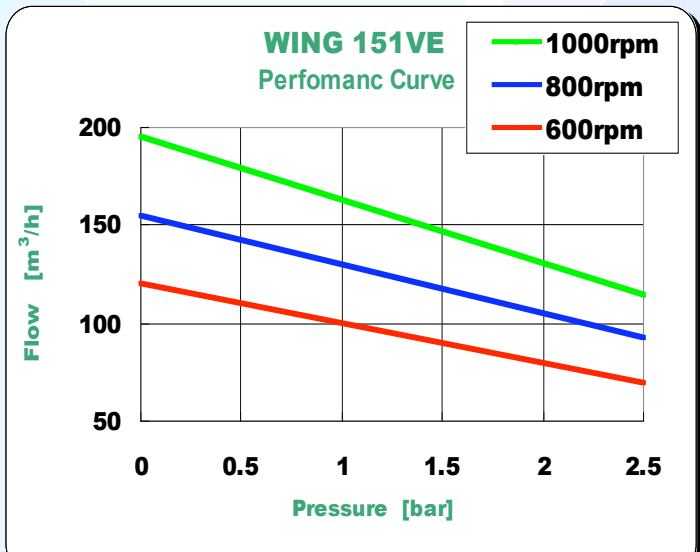
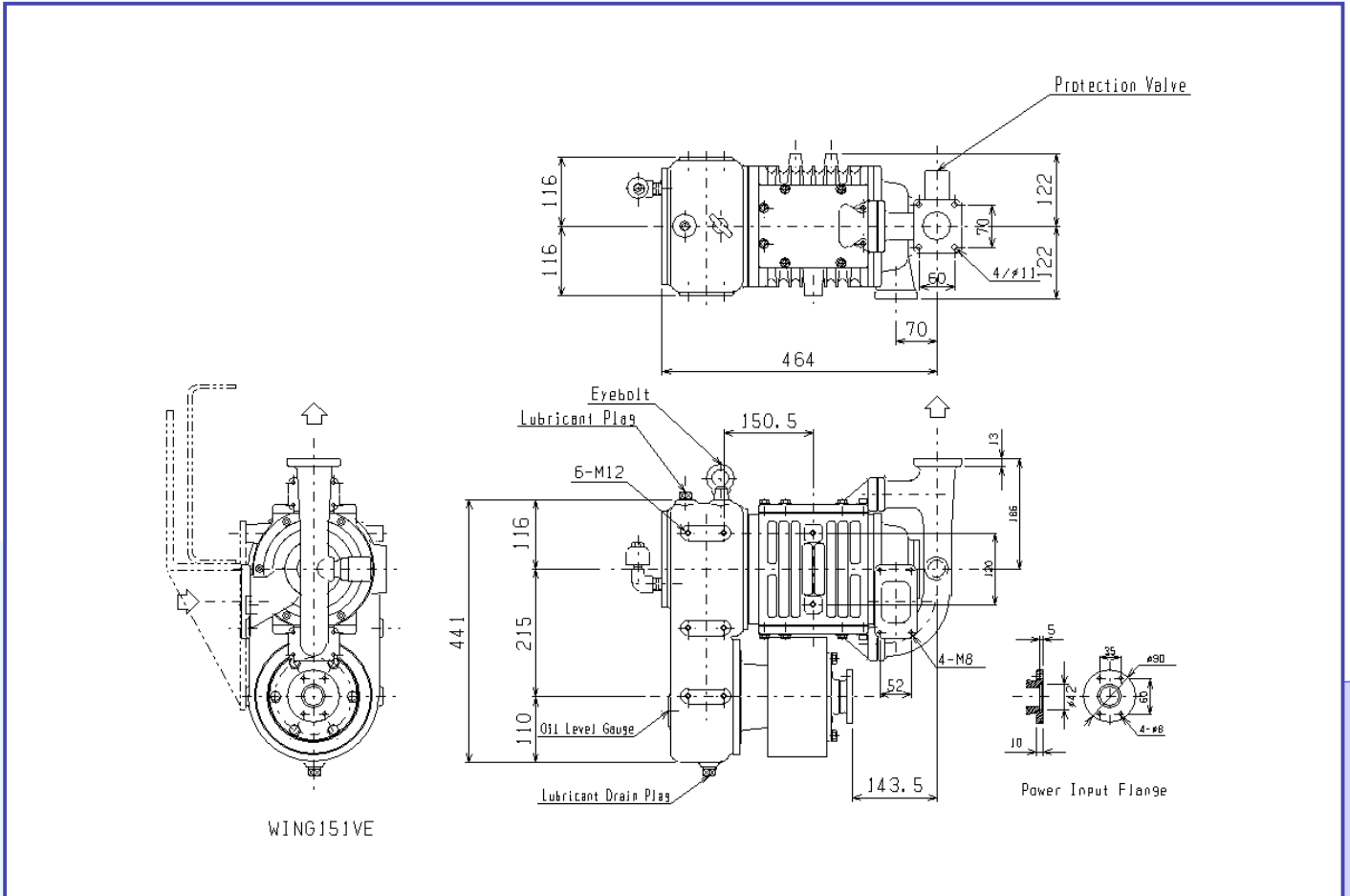
WING 602
Power Curve



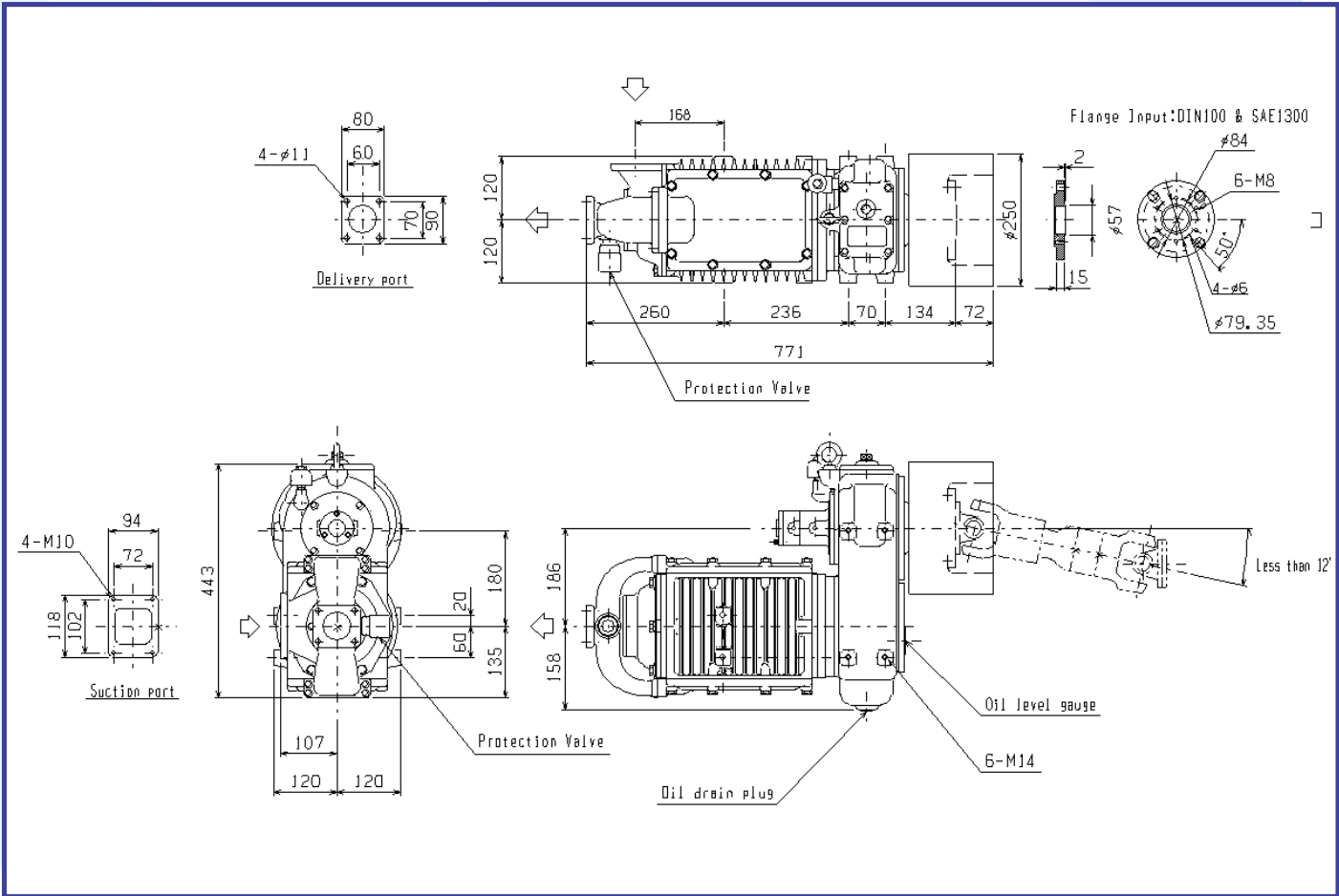
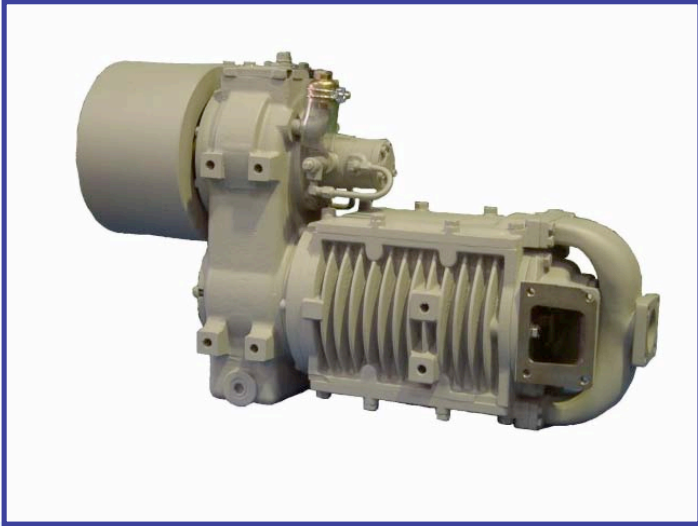
WING 602RF-BDSL



WING 151VE



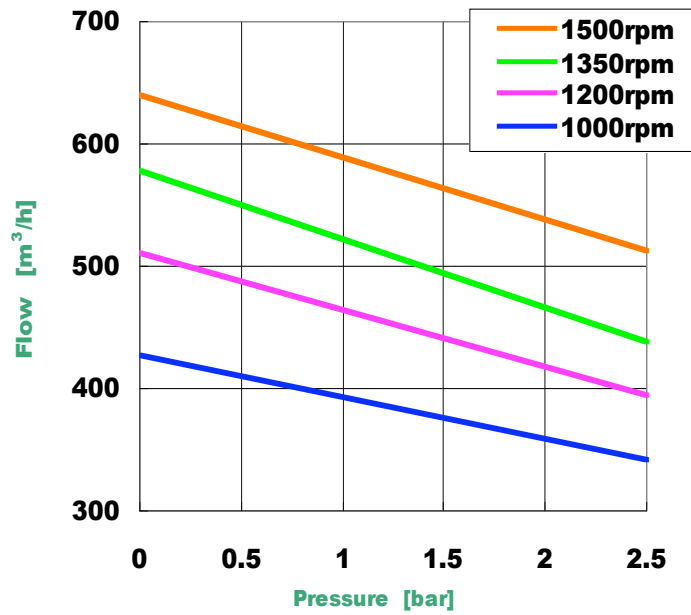
HEW2A



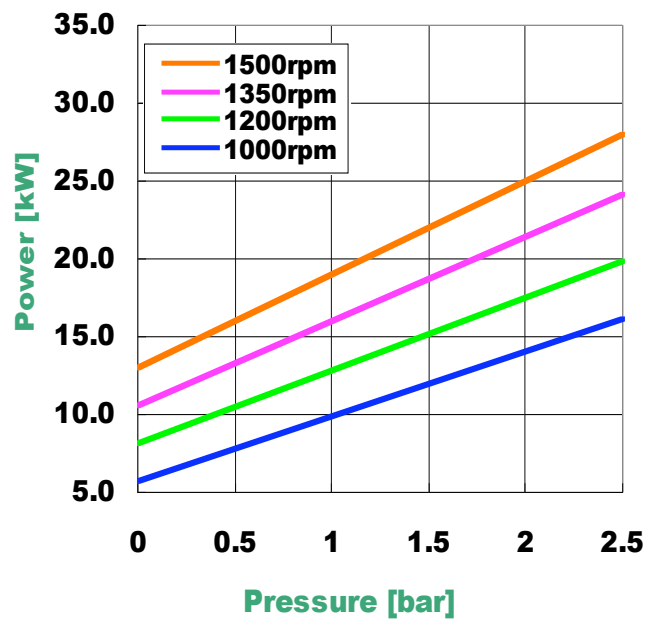
HEW2A



HEW2A
Perfomanc Curve



HEW2A
Power Curve



Company profile

Since its establishment in 1962, Hori Engineering Co., Ltd. has designed and manufactured compressors, blowers, and vacuum pumps with higher efficiency, lighter weight, and lower price on the basis of its unique technology, and has acquired a high share in the vehicle-loaded compressor and gas compressor markets.

With its characteristic engineering and technical capabilities, Hori Engineering Co., Ltd. will continue to challenge the future for providing greater achievements.



Name of company	Hori, Engineering Co., Ltd.
President	Kohei Hori (Founder, Bs-Eng)
Established	July, 1962
Capital	¥ 50,000,000 -
Employees	50



HORI ENGINEERING CO., LTD.

2285 KUZUHARA FUJISAWA
KANAGAWA JAPAN 252-0822

TEL : +81- 466- 47- 1000

FAX : +81- 466- 47- 1075

E-mail : m_nakamaru@horieng.co.jp

URL : [http : //www.horieng.co.jp](http://www.horieng.co.jp)

Nov.2008